

WESAN WS G

WOLTMAN METER

DIEHL
Metering



APPLICATION

WESAN WS G is a bulk water meter designed for measuring volumes of cold water (up to 50°C) in supply lines with high flow at low pressure loss. Modular, WESAN WS G DN50 to 150 can be fitted at any time with an IZAR clip-on module converting it into a communicating meter ready for mobile or fixed network (radio/wired) reading.

The measuring chamber can be replaced without removing the meter from the pipe.

FEATURES

- ▶ DN50/65/80/100/150
- ▶ Q3=25m³/h (DN50) / Q3=40m³/h (DN65) / Q3=63m³/h (DN80) / Q3=100m³/h (DN100) / Q3=250m³/h (DN150)
- ▶ MID approval up to R=40
- ▶ For horizontal installation
- ▶ Calibratable and exchangeable measuring insert
- ▶ Sealed measuring insert for better accuracy
- ▶ Encapsulated and rotating glass/copper register, IP 68
- ▶ Hydraulic bearing relief
- ▶ Protection against magnetic fraud

WESAN WS G

WOLTMAN METER

GENERAL

WESAN WS G			
Medium temperature range	°C	+1 ... +30	
Temperature safety	°C	+1 ... +50	
Ambient operating temperature	°C	+1 ... +55	
Ambient storage temperature	°C	+1 ... +55	
Nominal pressure	PN	bar	16 ¹
Protection class	IP 68		

¹ see also special versions

TECHNICAL DATA

Nominal diameter	DN	mm	50	65	80	100	150
Permanent flow rate	Q ₃	m ³ /h	25	40	63	100	250
Minimum flow rate	Q ₁	m ³ /h	0.63	1	1.58	2.5	6.25
Transitional flow rate	Q ₂	m ³ /h	1	1.6	2.52	4	10
Overload flow rate	Q ₄	m ³ /h	31.25	50	78.75	125	312.5
Starting flow rate		l/h	60	60	90	90	150
Flow rate at 0.1 bar pressure loss		m ³ /h	21	22	55	60	143
Pressure loss at Q ₃		bar	0.14	0.34	0.13	0.28	0.31

APPROVAL

Nominal diameter	DN	mm	50	65	80	100	150
MID (A 0445/3505/2011)			•	•	•	•	•
Dynamic range (Q ₃ /Q ₁)	R		40•H	40•H	40•H	40•H	40•H
Sanitary conformity			AoC DEU	AoC DEU	AoC DEU	AoC DEU	AoC DEU

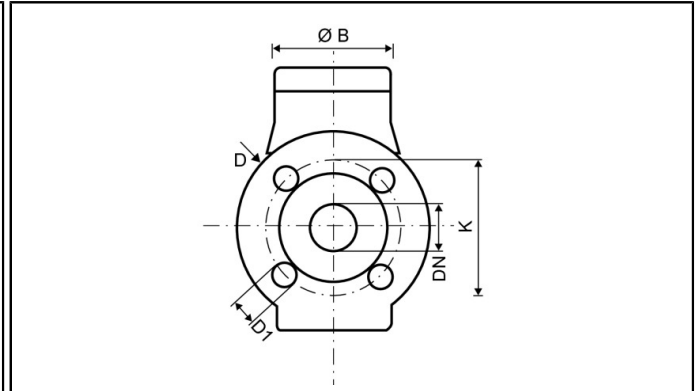
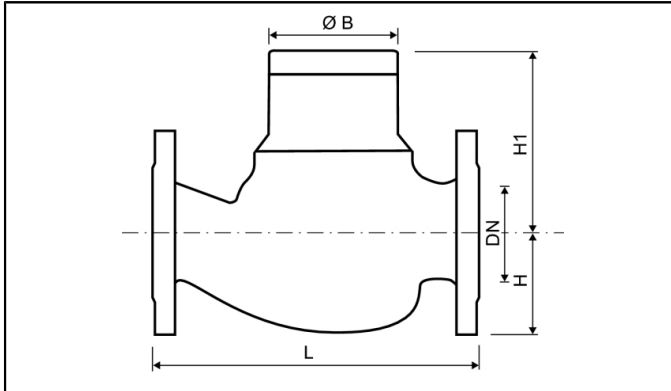
DISPLAY RANGE

Nominal diameter	DN	mm	50	65	80	100	150
0.5 l ... 999,999 m ³			•	•	•	•	
5.0 l ... 9,999,999 m ³							•

WESAN WS G

WOLTMAN METER

DIMENSIONS



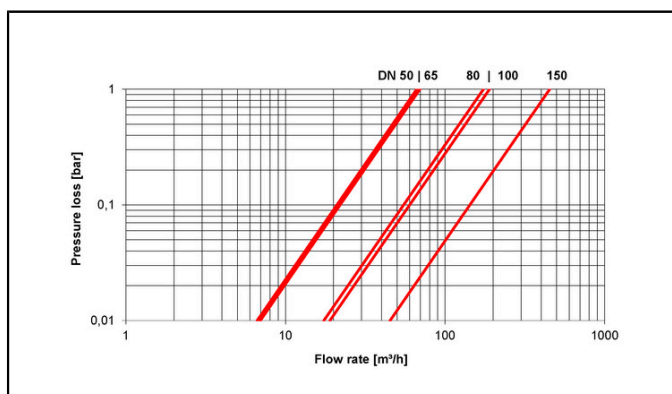
Nominal diameter	DN	mm	50	65	80	100	150
Overall length (DIN 19625)	L	mm	270	300	300	360	430 / 500
Overall length (DIN ISO 4064)	L	mm	300	300	350	350	500
Flange diameter	D	mm	165	185	200	220	285
Hole circle diameter	K	mm	125	145	160	180	240
Number of screwholes		pcs	4	4	4 / 8	8	8
Screw hole diameter	D1	mm	18	18	18	18	23
Height	H	mm	85	97	102	113	141
Height	L	mm	135	135	180	190	351
Height to remove measuring insert		mm	240	240	330	340	620
Diameter	Ø B	mm	110	110	110	110	110
Meter width		mm	173	173	239	239	310
Weight		kg	14.5	17.7	24	28	79.5

SPECIAL VERSIONS

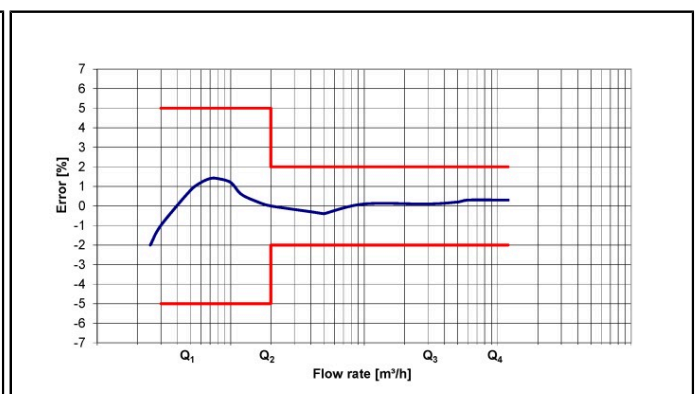
On request:

- Versions with different nominal pressure
- Flange for ANSI and BS
- Special pulse values
- Special overall lengths

PRESURE LOSS GRAPH / TYPICAL ERROR GRAPH



Pressure loss graph



Typical error graph