

ALTAIR V4 DN25/32/40

VOLUMETRIC METER

DIEHL
Metering



APPLICATION

ALTAIR V4 represents the latest generation of volumetric meters developed within the framework of the MID and European standards to meet field requirements. ALTAIR V4 is a particularly compact and robust meter, adapting to the most restrictive environments and compatible with varying water qualities. Modular, ALTAIR V4 may be fitted at any time with an IZAR clip-on module converting it into a communicating meter, ready for mobile or fixed network (radio/wired) reading.

FEATURES

- ▶ DN25/32/40
- ▶ Q3=6.3 m³/h (DN25/32), Q3=10 m³/h (DN25/32) and Q3=16 m³/h (DN40)
- ▶ MID approval up to R=800 (Q3=6.3 m³/h), R=500 (Q3=10 m³/h) and R=1,000 (Q3=16 m³/h)
- ▶ Starting flow rate at 1 l/h (Q3=6.3 m³/h), 2.9 l/h (Q3=10 m³/h) and 4 l/h (Q3=16 m³/h)
- ▶ Brass body
- ▶ Glass-copper register
- ▶ Compact
- ▶ Installation in any position

ALTAIR V4 DN25/32/40

VOLUMETRIC METER

METROLOGICAL DATA

Nominal diameter	DN	mm	25	25	32	32	40
Length*	L	mm	260	260	260	260	300
Nominal flow rate	Q ₃	m ³ /h	6.3	10	6.3	10	16
R standard*	Q ₃ /Q ₁		160	160	160	160	160
Starting flow rate		l/h	1	2.9	1	2.9	4
Minimum flow rate*	Q ₁	l/h	39.375	62.5	39.375	62.5	100
Transition flow rate*	Q ₂	l/h	63	100	63	100	160
Maximum flow rate	Q ₄	m ³ /h	7.875	12.5	7.875	12.5	20
Head loss at Q ₃		bar	0.616	0.496	0.611	0.484	0.630
Head loss at Q ₄		bar	0.962	0.776	0.955	0.785	0.984
Kvs (deltaP=Q ² /Kvs ²)			8.0	14.2	8.0	14.2	20.1

* Other values on request.

APPROVAL

ALTAIR V4 DN25/32/40	
MID approval	LNE-6250 Type A2
Standards	EN 14154 ISO 4064 OIML R49
Sanitary conformity	ACS Belgaqua AoC DEU WRAS DM 174

REACH

Information pursuant to Article 33 (1) of Regulation (EC) No 1907/2006 of the European Parliament and of the Council of 18 December 2006:

This product series contains articles with the following substances in a concentration of more than 0.1% weight by weight (w/w):

- Lead (CAS no.: 7439-92-1)

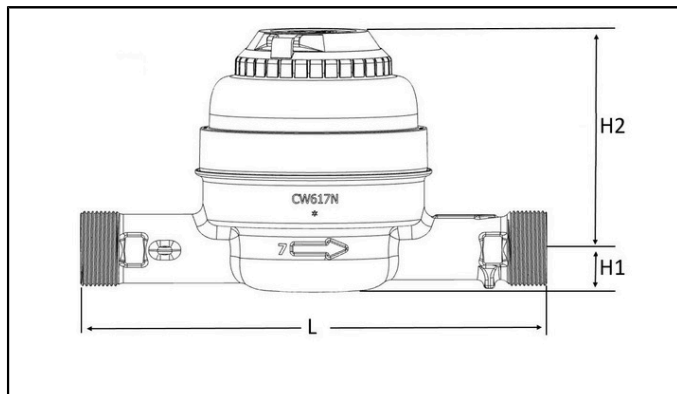
TEMPERATURES AND PRESSURE

ALTAIR V4 DN25/32/40		
Water temperature	°C	0.1 ... +50
Ambient operating temperature	°C	+1 ... +55
Storage temperature	°C	-10 ... +55
Nominal pressure	PN	bar 16

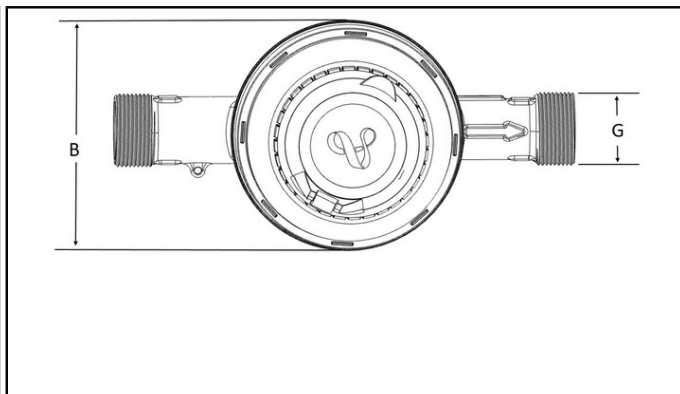
ALTAIR V4 DN25/32/40

VOLUMETRIC METER

DIMENSIONS



Front view - DN40

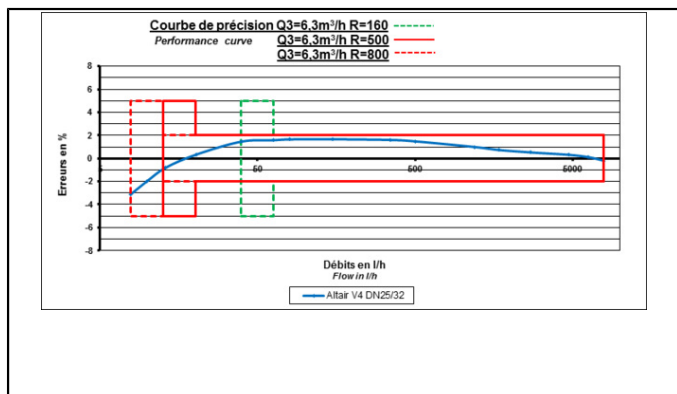


Top view

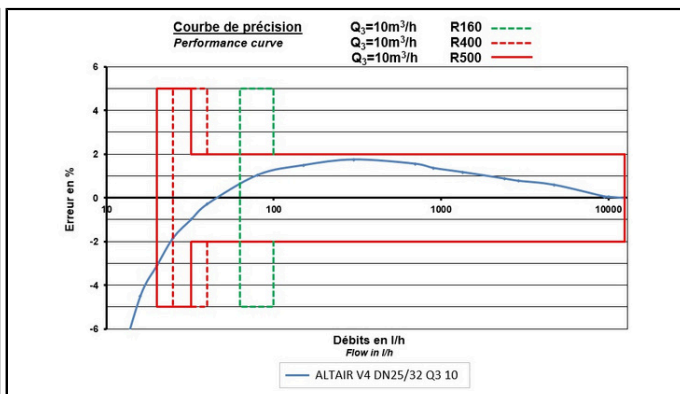
Nominal diameter	DN	mm	25	25	32	32	40
Length*	L	mm	260	260	260	260	300
Nominal flow rate	Q ₃	m ³ /h	6.3	10	6.3	10	16
Width	B	mm	132	179	132	179	179
Height	H1	mm	24.3	25.3	24.3	25.3	30.5
Height	H2	mm	120.3	153.5	120.3	153.5	153.5
Thread connections	G	inch	1"1/4	1"1/4	1"1/2	1"1/2	2"
Body			brass	brass	brass	brass	brass
Weight		kg	2.71	4.25	2.78	4.57	5.44

* Other values on request.

PRECISION CURVE - DN25/32



DN25/32 - Q₃=6.3 m³/h



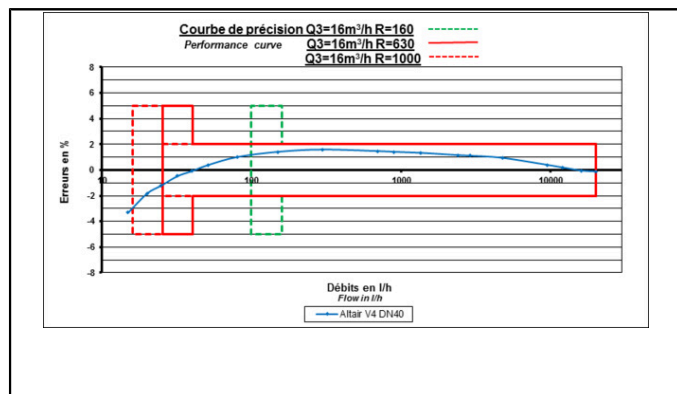
DN25/32 - Q₃=10 m³/h

This technology does not require straight length.

ALTAIR V4 DN25/32/40

VOLUMETRIC METER

PRECISION CURVE - DN40



DN40 - Q₃=16 m³/h

This technology does not require straight length.

OPTIONS

- Non-return valve
- Pair of connectors